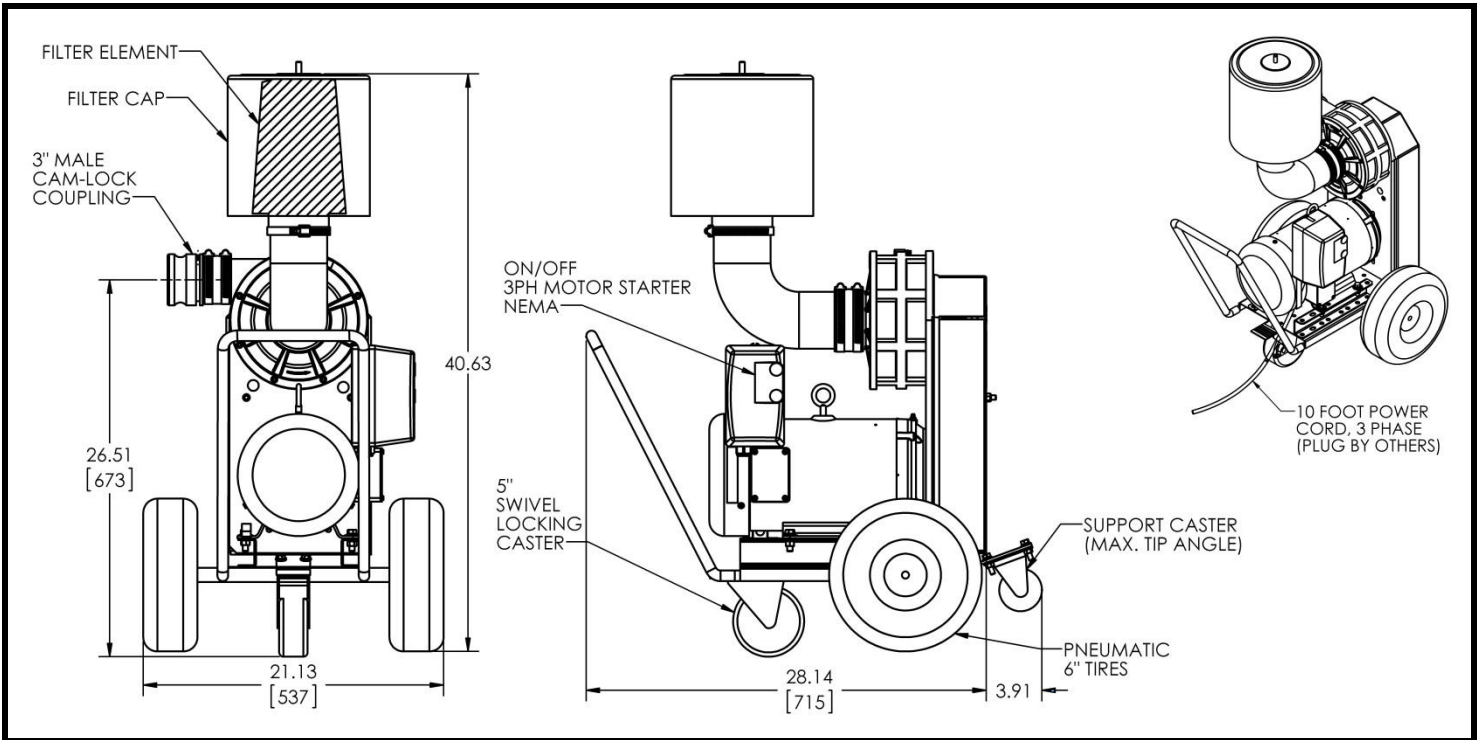
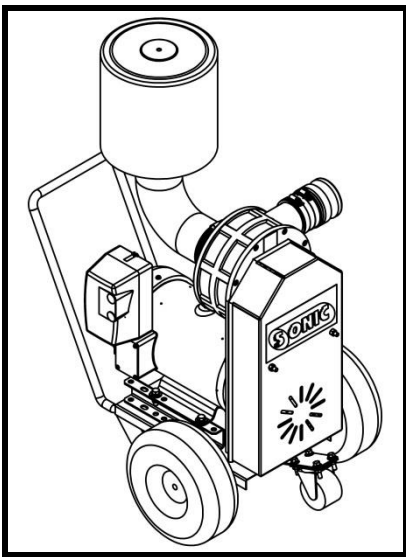




Engineered Blowers & Air Knife Solutions

Product Specification Sheet

**MOBILE D-I-P™
BLOWER SYSTEM
DRY IN PLACE**



Dimensions in Inches, [] are in millimeters

Model / Description	D-I-P ASSY 7.5HP 460V NEMA/ Motor	D-I-P ASSY-7.5HP 230V NEMA/ Motor	D-I-P ASSY-5.5KW 400V METRIC/ IEC Motor
Assembly Part Number	17218-190	17265-190	17273-160
Motors Available	7.5 Hp Baldor Motor	7.5 Hp Baldor Motor	5.5 kW WEG Motor
Maximum Air Outlet Velocity	29,000 fpm/ 8,900 m/min.		
Output Flow Rate	50 cfm to 700 cfm (85 m ³ /hr to 1,189 m ³ /hr)		
Maximum Can Drying Speed	Contact Sonic Air Systems		
Maximum Bottle Drying Speed	Contact Sonic Air Systems		
Approximate Weight	178 lbs (81Kg)	178 lbs (81Kg)	215 lbs (98Kg)
Additional D-I-P™ Components			
Spring Loaded Trigger Nozzle with 10 Ft Flex Hose P/N-17270-X.XX			
3" Male Cam-Lock P/N- 17282			
3" X 10 Ft Flex Hose Extension with (2) Female Cam-Lock Couplings P/N-17283			
See Standard Accessory Sheet for extra options			



Engineered Blowers & Air Knife Solutions

MOBILE D-I-P™ STANDARD ACCESSORIES

